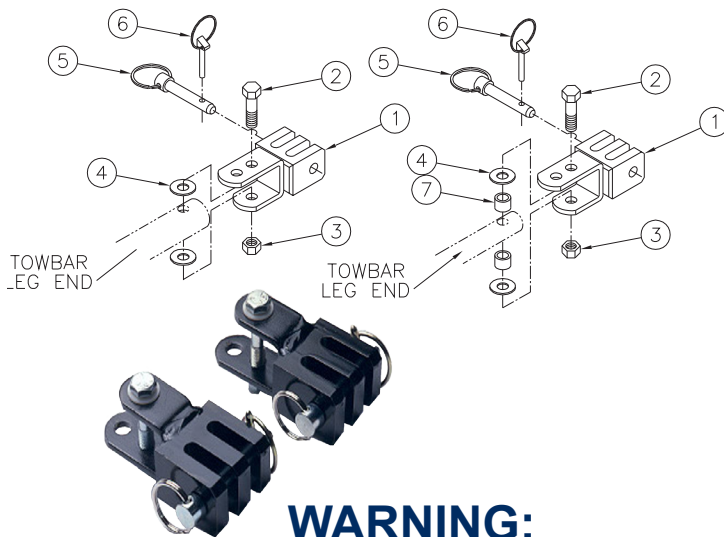


BLUE OX®

Triple Lug Kit BX88151

CONTENTS:

Ref No.	Qty.	Part #	Description
1	2	61-5381	Wldm't, Triple Lug Connector
2	2	201-0616	1/2-20 x 2 3/4 Hex Bolt, Grd. 5
3	2	202-0150	1/2-20 Nut, Hex Nyl Ins Lock,
4	4	290-0266	Nylon wa. 1.000 Od x .518 Id
5	2	229-0520	Pin, 1/2 x 2 5/8 Eff.
6	2	84-0001	Quick Pin Assembly
7	4	107-2754	Tube, 3/4 Od x .120W



WARNING:

USE ONLY GENUINE FACTORY REPLACEMENT PARTS. Do NOT substitute homemade or non-typical parts. This may cause your triple lug kit to fail and result in injury or death. If repairs of parts or components of your triple lug kit are needed, you may order them through your nearest Blue Ox® dealer or distributor, or call our 24/7 Customer Care Team at (402) 385-3051 or toll free at (888) 425-5382.

Installation Instructions

1. Place triple lug connectors over the end of the tow bar arms.
2. Install triple lug connectors to the tow bar arms using the hex bolts, washers, and nuts.
3. To attach the tow bar to the baseplate, insert the triple lug connector into the attachment tab of the baseplate. Align the holes of the triple lug connectors with the holes of the attachment tabs, and pin in place using the Quick Pin Assemblies and Pins.

Installation Instructions

BX88151 Triple Lug Kit

The BX88151 Triple Lug Kit is designed to adapt Roadmaster tow bars - Falcon, Sterling™ and Eagle - to Blue Ox® baseplates.

At Blue Ox® we pride ourselves in offering exceptional customer service to our valued customers.

If you have any questions, comments, or concerns please feel free to contact a member of our 24/7 Customer Care Team by calling (402) 385-3051 or toll free at (888)425-5382.

BLUE OX® Customer Service Commitment

Blue Ox® is focused on providing exemplary customer service, as observed in our mission statement and guiding principles. In accordance with this objective, Blue Ox® is proud to provide services such as repairs and general maintenance of Blue Ox® products at over 150 RV Rallies. Look for our Destination America or Blue Ox® Racing service crews at the next rally or race that you attend. If you were not present, you will find an informative, personalized note explaining any services that may have been performed to your Blue Ox® products.

Blue Ox® also offers educational seminars at rallies and through our Parks and Resort teams. In addition, Blue Ox® customers visiting our factory may take advantage of the well-equipped Blue Ox® RV park at no charge to you, our valued and appreciated customer.

