



Strong As An Ox™

Sport Guard

BXR3001.....Compact SUV or Truck 70"

BXR3002.....Full Size SUV or Truck 77"

BXR3003.....Dually Truck 90"

BXR3004.....Motorhome 96"

Step 1-

After opening and inspecting your new Sport Guard, lay the 2 mud flap frames face down on a cloth or protective surface to prevent scratching. Slide the frames together so the center part of the steel frames meet. Using six 5/16-18 carriage bolts, nylock nuts, and flat washers, bolt the center gusset to the two L-shaped brackets as shown below. Make sure you tighten all nuts securely with 6 foot pounds of torque. Next, bolt the mudflaps to the inside of the L-shaped brackets with 5/16-18 carriage bolts, nylock nuts, flat washers, and backing plates. Be sure decal is facing towards the outside as shown below.

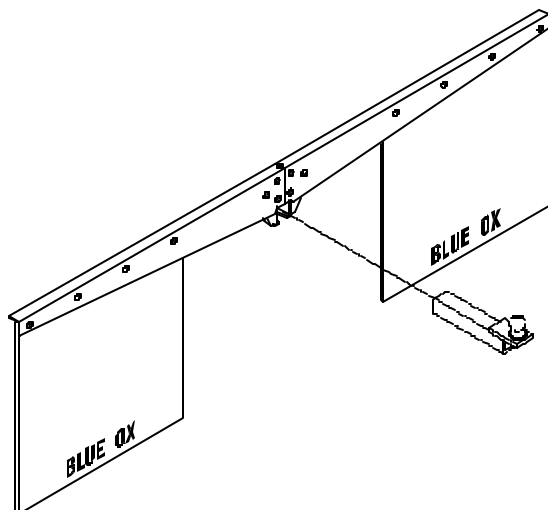
Step 2-

Now you are ready to install your system onto your ball mount and tighten the three locking bolts with 12 foot pounds of torque. With the Sport Guard on your ball mount and your hitch pin in place with clip, hold the Sport Guard frame level. Select your desired spacing away from bumper and then tighten the three locking bolts equally using a 5/16" allen wrench. Remember there must be a minimum of 1 3/4" of ball mount shank available for the Sport Guard system to fit, in some cases a longer ball mount may need to be purchased. **Do not re-drill the ball mount shank for any reason to get the system to fit.**

Step 3-

In determining proper flap length, you must slide the Sport Guard onto your ball mount and then install the ball mount into the vehicle receiver hitch. **Note:** With trailer tongue weight applied to your vehicle, you must have a **MINIMUM** of 2 to 3 inches of ground clearance between bottom of flap and the ground. Once you have determined your desired flap length it is very easy to cut the flaps to desired length using a straight edge and a utility knife. **Important:** You must make certain that the flaps are cut to proper length. If flaps drag on the ground they will become damaged and warranty will be void. The protective bumper pads are not intended to be mounted against the bumper. This may cause scratching to the bumper.

We recommend that you spray silicon on mounting ball periodically.



If you should have any questions, please contact Blue Ox's Sales/Service Department.