

BLUE OX®

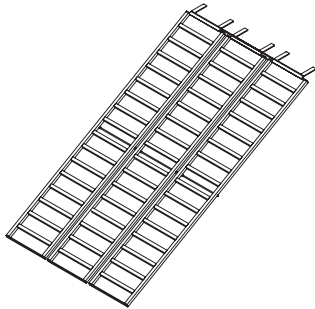
Sport Ramp SC1000

Sport Ramp SC1000

The SC1000 sport ramp is designed to be used with Blue Ox® SportCarrier™ I and II (SC2100 and SC2101). This sport ramp has a 1500 lb. load capacity.

CONTENTS:

Qty.	Part #	Description
1	63-2981	Ass'y, Sport Ramp
2	293-1485	Strap, Tie Down

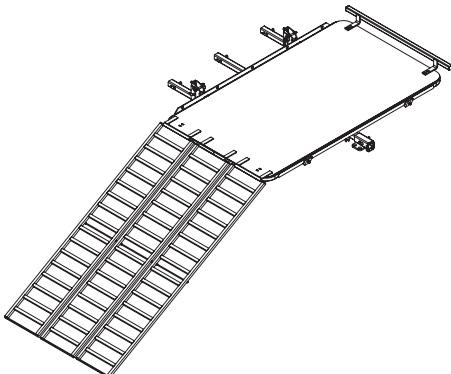


WARNING:

USE ONLY GENUINE FACTORY REPLACEMENT PARTS. Do NOT substitute homemade or non-typical parts. This may cause your Sport Ramp to fail and result in injury or death. If repairs of parts or components of your Sport Ramp are needed, you may order them through your nearest Blue Ox® dealer or distributor, or call our 24/7 Customer Care Team at (402) 385-3051 or toll free at (888) 425-5382.

Installation Instructions

1. Place the ramp tabs on the deck of the carrier on the opposite end of the tire stop.
2. Secure the ramp using the included tie down straps. Fasten one end of the strap to a ramp crossbar and the other end to the slot on the edge of the deck near the ramp. Do this with both straps.



Installation Instructions

CAUTION: Do not exceed a height of 36 in. when loading an ATV or 30 in. for a lawn tractor (measured from the ground to the loading surface). Exceeding this results in too steep of a loading angle, causing serious damage to the ramp, equipment, tailgate and causing personal injury.

At Blue Ox® we pride ourselves in offering exceptional customer service to our valued customers.

If you have any questions, comments, or concerns please feel free to contact a member of our 24/7 Customer Care Team by calling (402) 385-3051 or toll free at (888)425-5382.

BLUE OX®

Customer Service Commitment

Blue Ox® is focused on providing exemplary customer service, as observed in our mission statement and guiding principles. In accordance with this objective, Blue Ox® is proud to provide services such as repairs and general maintenance of Blue Ox® products at over 150 RV Rallies. Look for our Destination America or Blue Ox® Racing service crews at the next rally or race that you attend. If you were not present, you will find an informative, personalized note explaining any services that may have been performed to your Blue Ox® products.

Blue Ox® also offers educational seminars at rallies and through our Parks and Resort teams. In addition, Blue Ox® customers visiting our factory may take advantage of the well-equipped Blue Ox® RV park at no charge to you, our valued and appreciated customer.



© 2006 Blue Ox
One Mill Road, Industrial Park
Pender, Nebraska 68047
Phone: (402) 385-3051
Fax: (402) 385-3360
www.blueox.us
292-2733