

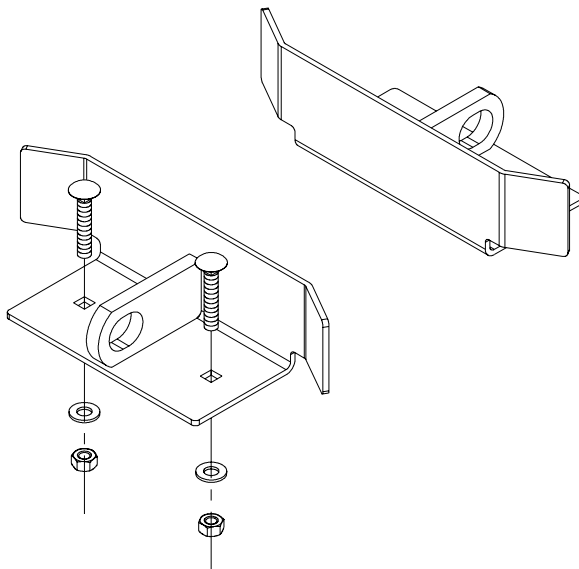


Strong As An Ox™

SC9007

Motorcycle Rear Tire Guide

Thank you for purchasing the SC9007 Motorcycle Rear Tire Guide from Blue Ox! It's constructed of durable steel and has a shiny black powder coat finish that will give you many years of service. SC9007 will keep your rear tire from sliding around when towing.



Installation Instructions

1. Load motorcycle onto platform of carrier or lift, putting the front tire in the wheel chock.
2. Strap the motorcycle to the platform using tie down straps.
3. Set one tire guide on each side of the rear tire, leaving about a 1/2" to an inch of space between the tire and the tire guide. Then mark and drill a 11/32" hole through the platform.
4. Using one 5/16-18 x 1" carriage bolt, flatwasher, and nylock nut, bolt one side of the tire guide (don't tighten completely). Set the other end of the tire guide, then mark and drill a 11/32" hole through the platform.
5. Bolt the other end, and tighten completely along with the other bolt.
6. Do the same with the other tire guide.
7. The SC9007 has two tie down convenience links, one on each tire guide that will help with securing the motorcycle.

If you should have any questions, please contact Blue Ox's Sales/Service Department.