

# BLUE OX®

## Bike Holder SC9008 and SC9016

### SC9008 and SC9016 Bike Holder

The SC9008 and SC9016 Bike Holders are designed for use with the SC2100 SportCarrier™ I and SC2101 SportCarrier II. The SportCarrier must be installed per its instructions before installing the bike holder. Each bike holder stores one bicycle.

#### SPECIFICATIONS:

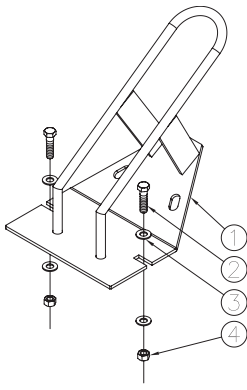
SC9008: Fits 19" to 26" bicycle tires

SC9016: Fits up to 18" bicycle tires

#### Contents:

Ref #	Qty.	Part #	Description
1	1	61-6220	Weldment Tire Guide, SC9008
1	1	61-6221	Weldment Tire Guide, SC9016
2	2	201-0019	3/8 -16 x 1 1/2 Carr. Bolt Grd. 5
3*	4	203-0003	3/8 Flat Washer, ZP
3*	2	101-5147	Plate Washer, 1/2 Hole ZP
4	2	202-0090	3/8-16 Hex Nyl. Ins. Lock Nut, Z

\* For *mesh* carrier decks, use plate washers underneath the bike holder and flat washers above it. For *non-mesh* carrier decks, use flat washers above and below the bike holder.



#### Tools Required

.406 Drill Bit  
9/16" Wrench

#### WARNING:

##### USE ONLY GENUINE FACTORY REPLACEMENT PARTS.

Do NOT substitute homemade or non-typical parts. This may cause your bike holder to fail and result in injury or death. If repairs of parts or components of your bike holder are needed, you may order them through your nearest Blue Ox® dealer or distributor, or call our 24/7 Customer Care Team at (402) 385-3051 or toll free at (888) 425-5382.

At Blue Ox® we pride ourselves in offering exceptional customer service to our valued customers.

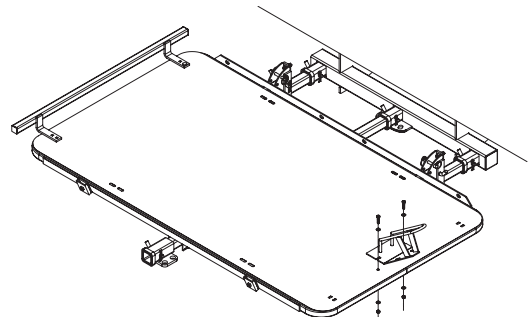
If you have any questions, comments, or concerns please feel free to contact a member of our 24/7 Customer Care Team by calling (402) 385-3051 or toll free at (888)425-5382.

## Installation Instructions

### Installation Instructions

1. Place the bike holder in a suitable location on the SportCarrier deck allowing for other cargo such as a motorcycle or golf cart. Illustration below shows one suitable location.
2. Using the two notches of the bike holder as a template, drill holes into the deck with the .406 drill bit. *Avoid drilling into framework under the deck.*
3. Install bolts, washers and nuts. Tighten with a 9/16" wrench.

*Once loaded, secure the bicycle using tie down straps (not included).*



## BLUE OX®

### Customer Service Commitment

Blue Ox® is focused on providing exemplary customer service, as observed in our mission statement and guiding principles. In accordance with this objective, Blue Ox® is proud to provide services such as repairs and general maintenance of Blue Ox® products at over 150 RV Rallies. Look for our Destination America or Blue Ox® Racing service crews at the next rally or race that you attend. If you were not present, you will find an informative, personalized note explaining any services that may have been performed to your Blue Ox® products.

Blue Ox® also offers educational seminars at rallies and through our Parks and Resort teams. In addition, Blue Ox® customers visiting our factory may take advantage of the well-equipped Blue Ox® RV park at no charge to you, our valued and appreciated customer.



