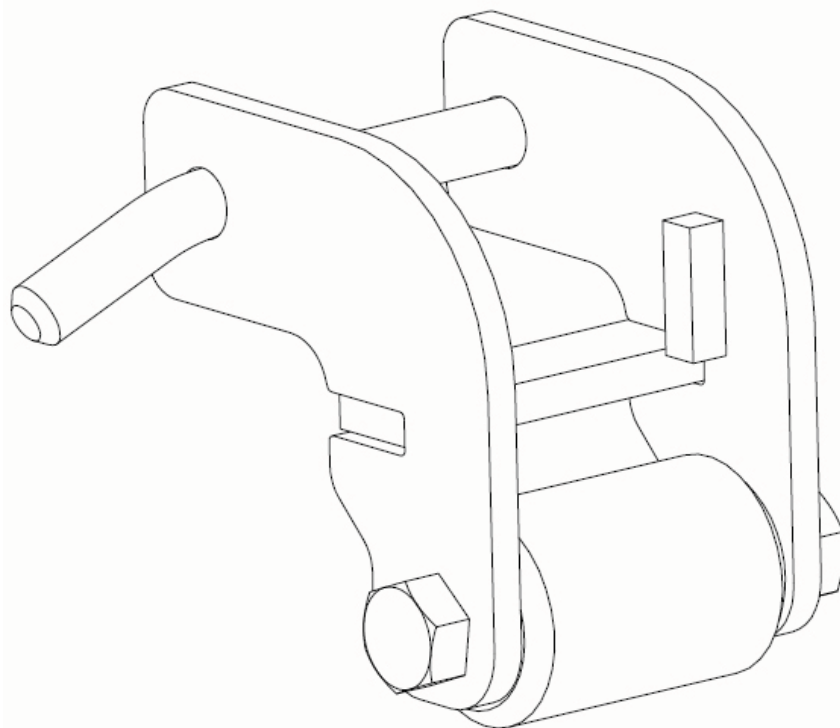




ROLLER HITCH PROTECTOR



OPERATOR, PARTS, AND INSTALLATION MANUAL

BX88198 **Roller Hitch Protector**



Strong As An Ox™

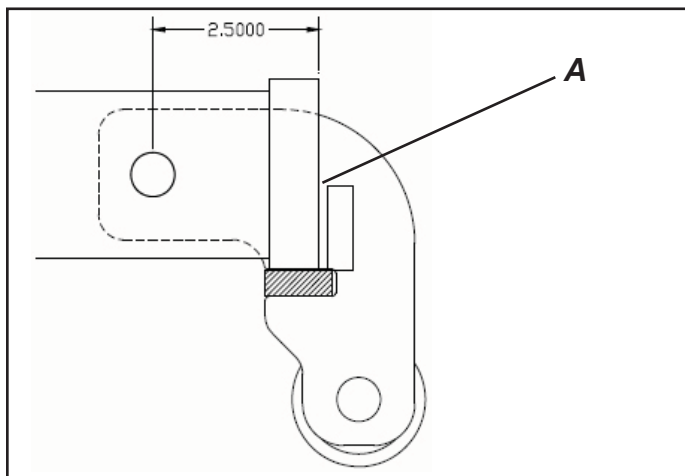


Fig. 1

1. The Roller Hitch Protector is designed to fit most 2" I.D. square tube hitch receivers from major manufacturers. A small amount of space at point 'A' is OK. The Hitch Guard protector will stay in place (Fig. 1).

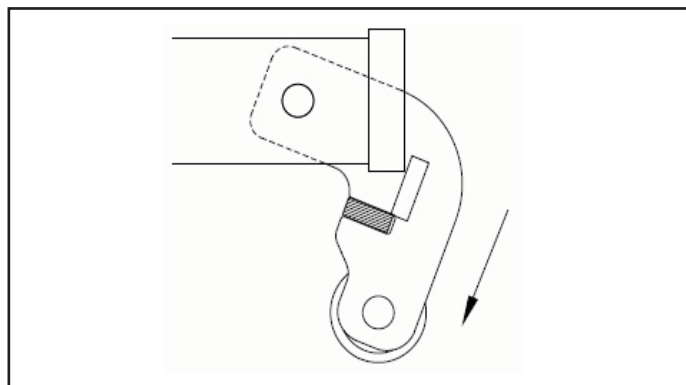


Fig. 2

2. **IMPORTANT NOTE:** Improper fit with too much space at point 'A' will cause the Roller Hitch protector to drop down creating a dangerous installation (Fig. 2).

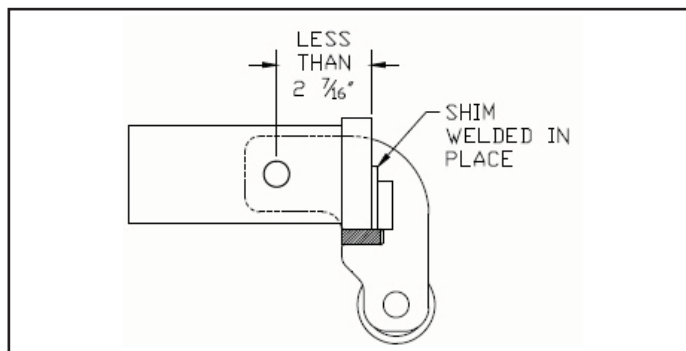


Fig. 3

3. If you have too much space at point 'A', DO NOT use the Roller Hitch protector unless you weld a shim to fill the gap at point 'A'. This will hold the Roller Hitch in the correct position. The shim can be welded to either the hitch receiver or to the Roller Hitch. (Fig. 3).

SAFETY NOTE: FAILURE TO FOLLOW THESE INSTRUCTIONS CAN RESULT IN DEATH, PERSONAL INJURY OR PROPERTY DAMAGE



Strong As An Ox™

Parts List

Ref. No.	Qty.	Part No.	Description
1	1	61-6053	Wldm't, Roller
2	1	107-2705	Tube, Roller
3	1	190-0142	Tube, Bushing, Nylatron
4	1	200-1701	Pin, 5/8 x 4 eff. w/clip
5	1	201-0029	5/8-11 X 4 1/2 Hex Bolt, Grd.5, ZP
6	1	202-0163	5/8-11 Hex Jam Nut, W/Nyl Insert,ZP

