

BLUE OX®

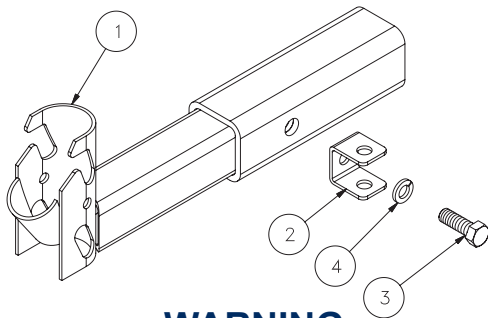
Bike Rack Receiver Mount BXJR107

BXJR107 Bike Rack Receiver Mount

The BXJR107 Bike Receiver Mount is designed to be mounted to a 2" hitch receiver for use with a Blue Ox Bike Rack.

CONTENTS:

Ref #	Qty.	Part #	Description
1	1	61-6263	Weldment, BXJR107
2	1	101-6942	Locking Bracket, BXJR107
3	1	201-0051	1/2-13 x 1 1/2" Hx Blt Gr. 5, ZP
4	1	203-0012	1/2" Lock Washer, ZP



WARNING:

USE ONLY GENUINE FACTORY REPLACEMENT PARTS. Do NOT substitute homemade or non-typical parts. This may cause your bike receiver mount to fail and result in injury or death. If repairs of parts or components of your bike receiver mount are needed, you may order them through your nearest Blue Ox® dealer or distributor, or call our 24/7 Customer Care Team at (402) 385-3051 or toll free at (888) 425-5382.

Installation Instructions

1. Insert the weldment, into the 2" receiver.
2. Align the center hole of the locking bracket with the receiver hole. *Note: The two outside holes should be vertically parallel as shown above.*
3. Install the 1/2" lock washer and 1/2-13 x 1 1/2" hex bolt to the locking bracket and tighten to the weldment.
4. Install the Blue Ox Bike Rack to the weldment per it's instructions.

Installation Instructions

Available Bike Rack Models:

BXJR101 – Bike Rack, 3 bike.....	\$110.00 MSRP
BXJR105 – Bike Rack, 4 bike.....	\$130.00 MSRP
BXJR117 – Bike Rack, 3 bike, ext...	\$145.00 MSRP
BXJR118 – Bike Rack, 4 bike, ext...	\$155.00 MSRP

At Blue Ox® we pride ourselves in offering exceptional customer service to our valued customers.

If you have any questions, comments, or concerns please feel free to contact a member of our 24/7 Customer Care Team by calling (402) 385-3051 or toll free at (888)425-5382.

BLUE OX®

Customer Service Commitment

Blue Ox® is focused on providing exemplary customer service, as observed in our mission statement and guiding principles. In accordance with this objective, Blue Ox® is proud to provide services such as repairs and general maintenance of Blue Ox® products at over 150 RV Rallies. Look for our Destination America or Blue Ox® Racing service crews at the next rally or race that you attend. If you were not present, you will find an informative, personalized note explaining any services that may have been performed to your Blue Ox® products.

Blue Ox® also offers educational seminars at rallies and through our Parks and Resort teams. In addition, Blue Ox® customers visiting our factory may take advantage of the well-equipped Blue Ox® RV park at no charge to you, our valued and appreciated customer.



© 2006 Blue Ox
One Mill Road, Industrial Park
Pender, Nebraska 68047
Phone: (402) 385-3051
Fax: (402) 385-3360
www.blueox.us
292-2839