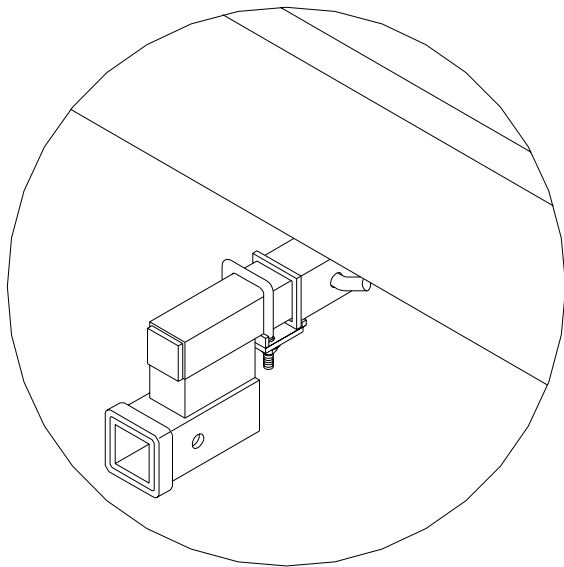




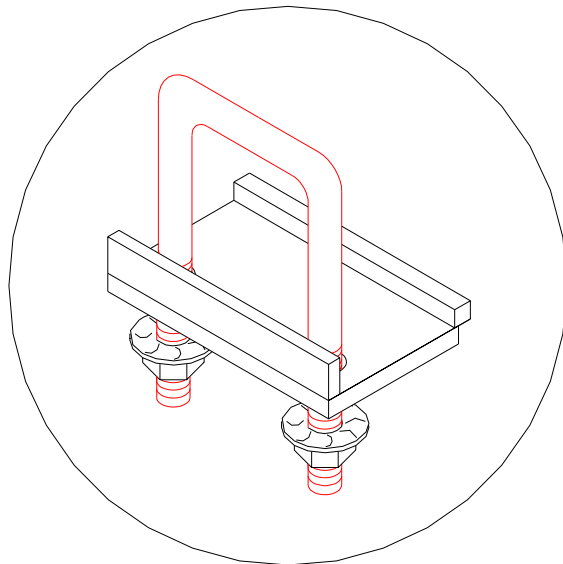
Installation Instructions for BX88171 Hitch Receiver Immobilizer

1. Make sure the drop receiver, or tow bar is pinned into receiver.
2. Take the whiz nuts off of u-bolt, then slip the U-bolt over the drop receiver shown in the below diagram. Slide the bracket plate onto the U-bolt making sure the square 1/4" key stock is towards the RV. With the 3/8-16 whiz nuts, loosely bolt the bracket plate to the U-bolt.
3. Slide the bracket plate and U-bolt assembly towards the receiver, just enough to slip the 1/4" key stock over the receiver lip.
4. Making sure the U-bolt is perpendicular to the receiver, tighten the 3/8 whiz nuts firmly with a 9/16" deep socket and ratchet.

The tightening of the BX88171 will make sure there is no rattling in the receiver. It will also stiffen up your hitch point, for a more solid hitch point.



INSTALLED



BX88171